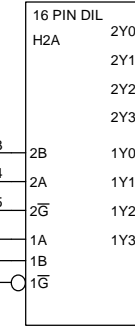
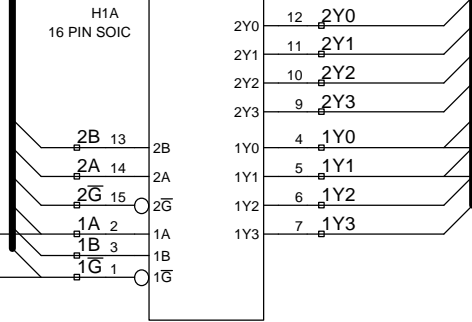


PCB

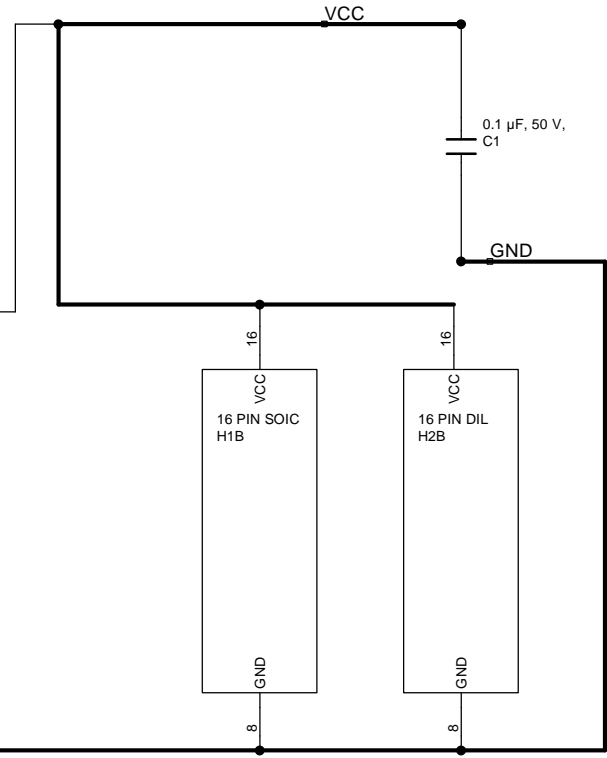
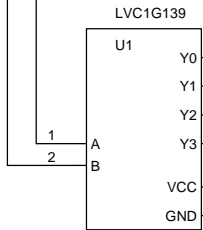
Bus connects to other header

This connects to the Z88 card

H1A
16 PIN SOIC



DIL connector to other card



	Z88 SIGNALS	VG 139 SIGNALS
INPUT	A19 /CE	1A 1G
OUTPUT	/CE0 SELECT RAM /CE1 SELECT FLASH	1Y0 1Y1

Title 74139 Turbo Decoder - Z88 Card		
Author Vic Gerhardi Rakewell Limited		
File Z88 Card\20161117c Turbo Decoder - Z88 Card	Document	
Revision 4.0	Date 17/11/2016	Sheets 1 of 1