

- 6.4.3 The bottom six bits of each 8-bit register (A19 - A14) provide a page address in the range 0 - 63, each page comprising 16k locations. This page reference, combined with the page offset address provided by the CPU on A13 - A0 allows access to any address in the range 0 - 1 Mbyte. Which 1m byte segment of the 4m byte memory space is addressed in this way is determined by the top two bits in each extension register (A21 and A20). Internal memory occupies segment 0 and slots 1 to 3, segments 1, 2 and 3 respectively.
- 6.4.4 The extension register chosen to supply the page and segment address is determined by A15 and A14 output on the CPU address bus together with the page offset. This feature is useful since it allows the CPU to set up the registers once prior to accessing any contiguous 64k byte block of memory.
- 6.4.5 Access to either the EPROM or RAM resident within segment 0 is determined by address A19 within the appropriate extension register. A19 set high selects EPROM in the lower ½m byte, and when set low selects RAM in the upper ½m byte.
- 6.4.6 CPU access to the extension registers is using an I/O write instruction which also requires address bit A3 high.

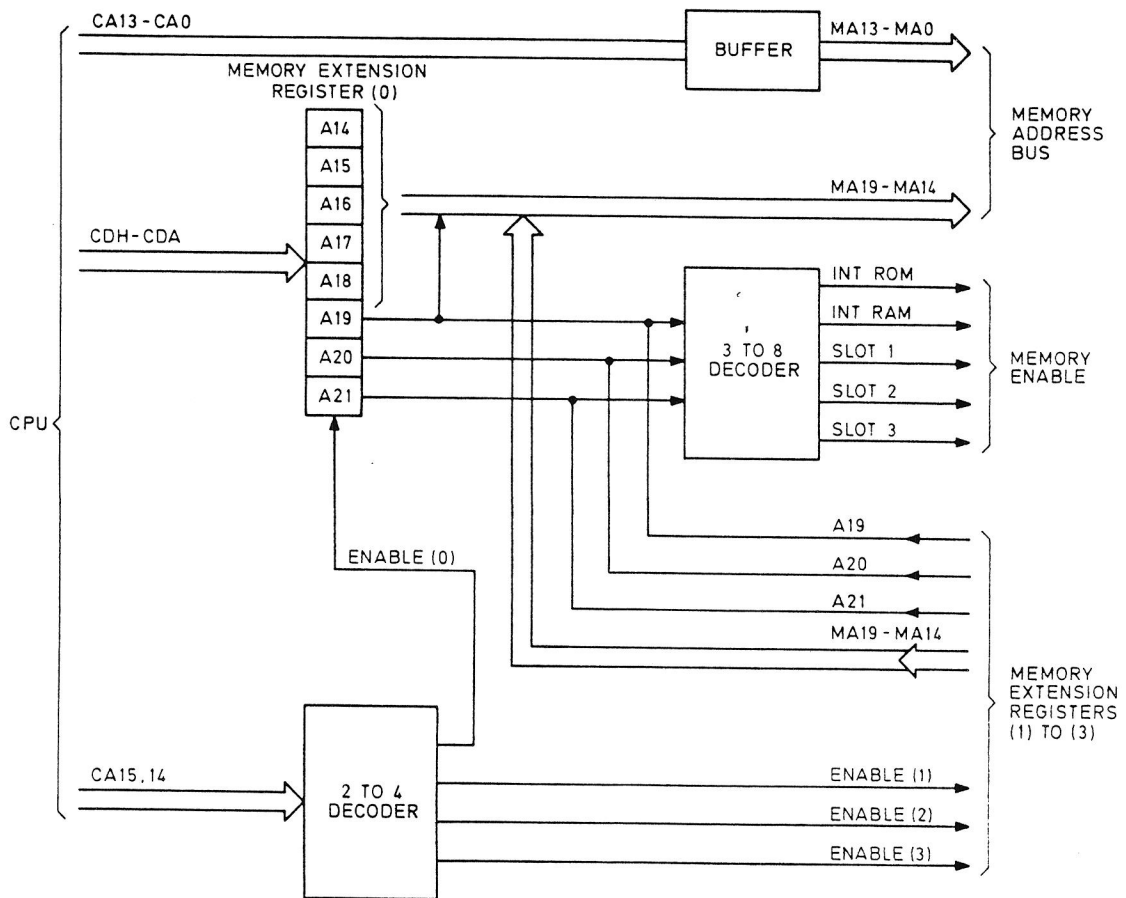


FIGURE 1.1 MEMORY ADDRESSING